



## OE8802 - Lincat Opus 800 Electric Free-standing Bratt Pan - W 900 mm - 12.0 kW

The Opus 800 electric Bratt Pan offers the flexibility of a 90°C to 240°C temperature range - it's up to you what you create in the enormous 80 litre space.

- ✔ Large 80 litre capacity
- ✔ Maximum flexibility, 90°C to 240°C temperature range to meet different cooking needs
- ✔ Large pouring spout and lip to avoid the risk of spillage
- ✔ 2mm thick stainless steel lid doubles as bench top workspace.
- ✔ Manually operated tilting mechanism with fold away handle

### Specifications

#### Summary

<b>Brand</b>	Lincat
<b>Range</b>	Opus 800
<b>Power Type</b>	Electric
<b>Unit Type</b>	Free-standing
<b>Available in UK Only</b>	No
<b>UK Warranty</b>	2 Years Parts and Labour Warranty
<b>Export Warranty</b>	Contact your local dealer
<b>GTIN</b>	5056105102441

#### Power and Performance

<b>Total Power kW</b>	12.0
<b>Temperature Range °C</b>	90-240
<b>IP Rating</b>	IP34
<b>Temperature Control</b>	Mechanical

#### Capacity

<b>Capacity Litres</b>	80
------------------------	----

#### Weights and Dimensions

<b>Unit Height (External) mm</b>	900
<b>Unit Width (External) mm</b>	900
<b>Unit Depth (External) mm</b>	800
<b>Net Weight Kg</b>	145

#### Supply Connections

<b>Requires Installation</b>	Yes
<b>Requires Electrical Supply</b>	Yes
<b>UK 3 Pin Plug</b>	No
<b>Requires Hardwiring</b>	Yes
<b>Electrical Supply Rating Watts</b>	12,000
<b>Single Phase Amps</b>	52.2
<b>Single Phase Voltage</b>	230
<b>Three Phase Amps</b>	L1=17.4; L2=17.4; L3=17.4
<b>Three Phase Voltage</b>	400
<b>Water Connection Pressure Bar</b>	0.2-10.0
<b>Water Connection</b>	1/2"

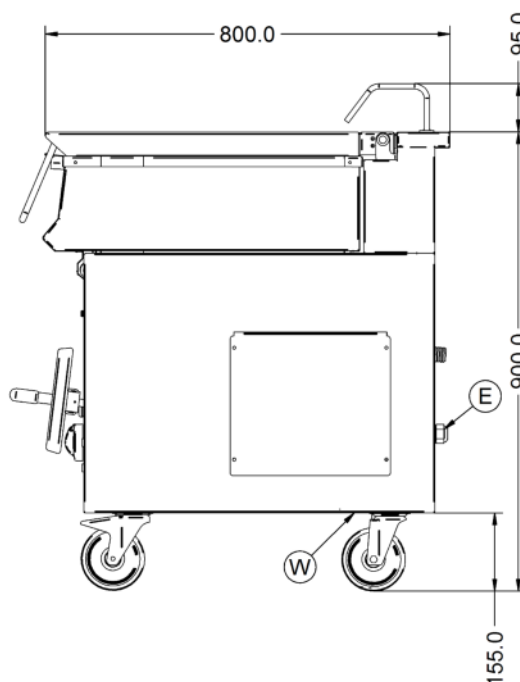
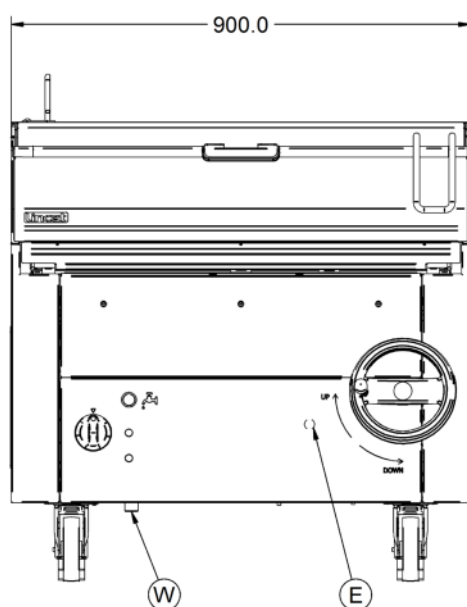
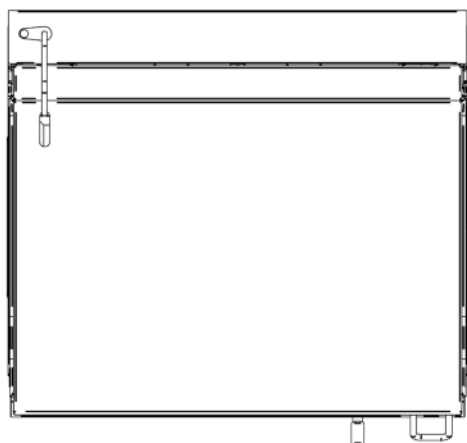
#### Shipping

<b>Packed Weight Kg</b>	159.5
<b>Packed Height cm</b>	104
<b>Packed Width cm</b>	100
<b>Packed Depth cm</b>	85

### Available Accessories

LK06	OPUS 800 LEG KIT
------	------------------

### Technical Picture



**Lincat Limited**

Whisby Road,  
Lincoln, LN6 3QZ,  
United Kingdom

**Company No:** 2175448

A member company of



**Customer Care**

**Tel:** +44 1522 875500  
**Email:** care@lincat.co.uk

**Export Customers**

**Tel:** +44 1522 875536  
**Email:** export@lincat.co.uk

**Opening Hours**

**Monday – Friday:**  
8.30am – 5pm