

# CHIEFTAIN BRATT PANS

## G2962 and G2994 manual-tilt



### DESCRIPTION

Heavy duty, thermostatically controlled, cast iron bratt pans.

The cast iron pan offers excellent heat distribution delivering greater consistency.

The pan is tilted by means of a manual easy to turn handle. Power is cut if pan is moved from fully lowered position or at any time this is lifted.

Two capacities of pan are available to provide versatility and choice to suit the size of your business.

The pan itself is supplied with a hinged lid as standard.

### FEATURES and BENEFITS

- Versatile cooking performance
  - six different cooking activities can be achieved
- Manual tilt via front located handle
  - easy to operate
- Heavy duty cast iron pan
  - durable and excellent for even heat distribution
- Precise temperature control
  - accurate and sensitive operation
- Auto-tilt models also available
  - G2965/G2995 models (FAL07)

### OPTIONAL ACCESSORIES

- 2/3 gastronorm compatible cradle (G2962)
- 1/1 gastronorm compatible cradle (G2994)

### VENTILATION

Adequate ventilation, whether natural or mechanical, must be provided to supply sufficient fresh air for combustion and to allow easy removal of such products that may present risk to health. Recommendations for ventilation of appliances are given in BS5440:2 and HVCA specification DW/172. For multiple installations, requirements for individual appliances should be added together. Installation of any such system must be completed in accordance with local and/or national regulations that apply at time of commissioning

### SITING

The appliance must be installed on a firm, level floor in a well lit position. Unit supplied upon adjustable feet for levelling if required.

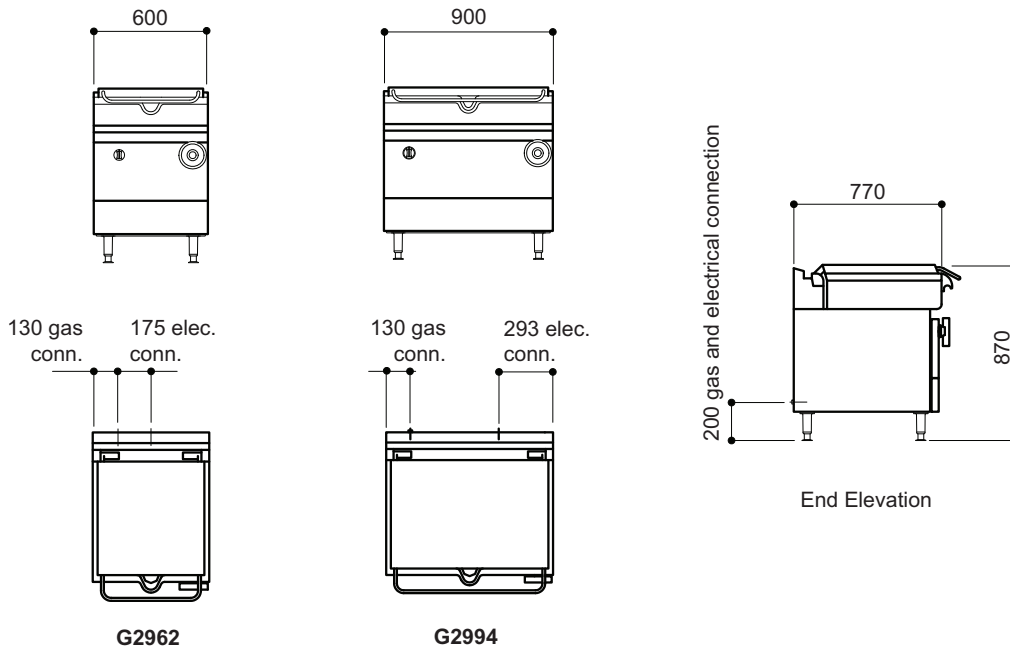




# CHIEFTAIN BRATT PANS

G2962 and G2994 manual-tilt

## MODEL DIMENSIONS (in mm)



## SPECIFICATION DETAILS

\* ratings are gross values

	<b>G2962</b>	<b>G2994</b>
Inside pan size (wxdxh)	500 x 530 x 140mm	800 x 530 x 140mm
Oil capacity (litres)	14	21
Water capacity (litres)	21	32
Gas rating * (kW)	11.5	17.5
Gas rating * (btu/hr)	38,500	60,000
Gas inlet (Natural/Propane)	1/2" BSP	1/2" BSP
Electrical supply voltage	230V N~	230V N~
Amps per phase (A)	3	3
Gas pressure (Natural)	15mbar	15mbar
Gas pressure (Propane)	37mbar	37mbar
Weight (kg)	125	165
Packed weight (kg)	132	172