



OG8410/N - Opus 800 Natural Gas Synergy Grill - W 600 mm - 5.7 kW

Lincat is delighted to be able to offer the revolutionary Synergy Grill technology as a suited solution within our Opus 800 Series. Combining high power with low energy consumption.

- ✓ Suites with Opus 800 series
- ✓ Patented award winning Synergy Grill technology delivers incredibly hot temperatures yet uses an average of 59% less gas than a standard grill
- ✓ Gently smokes food, giving you incredible flavour
- ✓ Clear contrasting bar marks
- ✓ Quickest grill on the market to clean, once cold, you can simply vacuum out the dust that's left
- ✓ No fat means no fat tray to clean
- ✓ The simplest grill on the market to operate
- ✓ Safety is paramount, one of the safest units to operate

Specifications

Summary

Range Name	Opus 800
Power Type	Gas
Gas Type	Natural Gas
Unit Type	Counter-top
Available in UK Only	No
UK Warranty	2 Years Parts and Labour Warranty
Export Warranty	Contact your local dealer
GTIN Code	5056105118107

Power and Performance

BTU per Hour	19,448
Total Power kW	5.7
Cooking Area (Width x Depth) mm	500 x 620
Temperature Control	Mechanical

Key Specifications

Number of Heat Zones	1
-----------------------------	---

Weights and Dimensions

Unit Height (External) mm	886
Unit Width (External) mm	600
Unit Depth (External) mm	800
Net Weight Kg	95.4

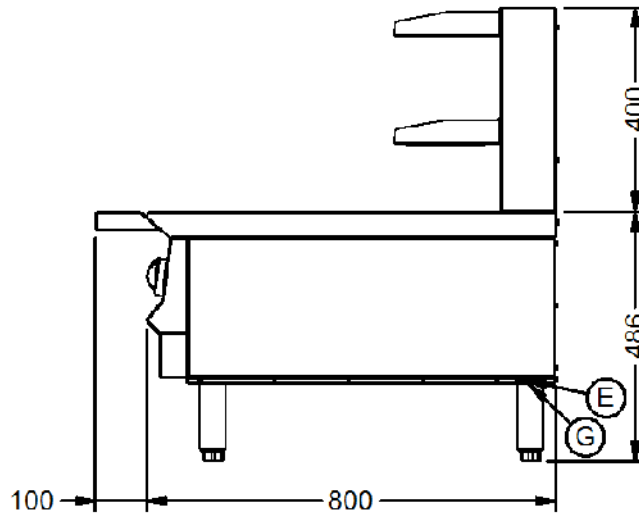
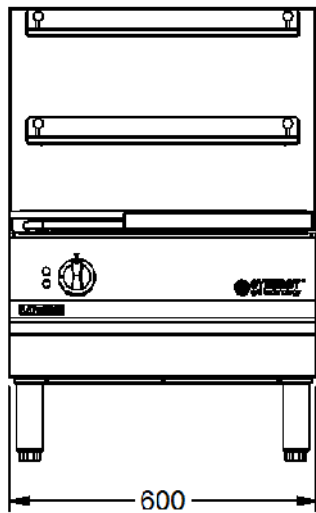
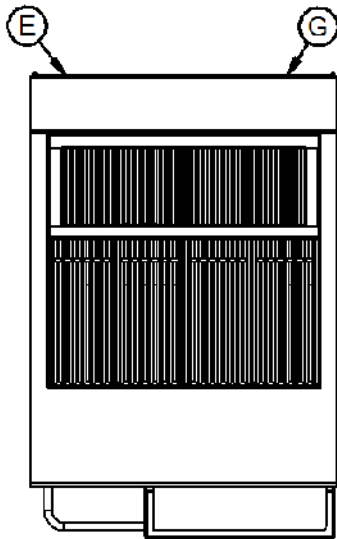
Supply Connections

Requires Installation	Yes
Requires Electrical Supply	No
Gas Connection BSP	3/4"
Gas Consumption at full rate Natural m³ per Hour	0.54
Gas Pressure Natural mbar	20
Total heat input at full rate Natural kW	5.7
Total heat input at full rate Natural BTU per hour	19,448

Shipping

Packed Weight Kg	106.3
Packed Height cm	104
Packed Width cm	70
Packed Depth cm	85

Technical Picture



Lincat Limited

Whisby Road,
Lincoln, LN6 3QZ,
United Kingdom

Company No: 2175448

A member company of



Customer Care

Tel: +44 1522 875500
Email: care@lincat.co.uk

Export Customers

Tel: +44 1522 503250
Email: export@lincat.co.uk

Opening Hours

Monday – Friday:
8.30am – 5pm