



## CG6/N - Silverlink 600 Natural Gas Counter-top Chargrill - W 600 mm - 16.4 kW

Create that distinctive chargrilled flavour and branded appearance without the need for messy lava rocks with the Silverlink 600 Gas Chargrill.

- ✓ Uses radiants which replaces the need for using messy lava rocks
- ✓ Twin zones for maximum flexibility
- ✓ The variable heat control and heat retaining cooking grids produce the clean, sharp chargrilled marks
- ✓ Splashguard to protect surrounding surfaces from splashes
- ✓ Removable branding bars to allow for easy cleaning and access
- ✓ Drip drawer to collect all the cooking liquids to reduce cleaning times

### Specifications

#### Summary

<b>Range Name</b>	Silverlink 600
<b>Power Type</b>	Gas
<b>Gas Type</b>	Natural Gas
<b>Unit Type</b>	Counter-top
<b>Available in UK Only</b>	No
<b>UK Warranty</b>	2 Years Parts and Labour Warranty
<b>Export Warranty</b>	Contact your local dealer
<b>GTIN Code</b>	5056105104544

#### Power and Performance

<b>BTU per Hour</b>	55,956
<b>Total Power kW</b>	16.4
<b>Cooking Area (Width x Depth) mm</b>	477 x 440
<b>Temperature Control</b>	Mechanical

#### Key Specifications

<b>Number of Heat Zones</b>	2
-----------------------------	---

#### Weights and Dimensions

<b>Unit Height (External) mm</b>	414
<b>Unit Width (External) mm</b>	600
<b>Unit Depth (External) mm</b>	652
<b>Net Weight Kg</b>	35.3

#### Supply Connections

<b>Requires Installation</b>	Yes
<b>Requires Electrical Supply</b>	No
<b>Gas Connection BSP</b>	1/2"
<b>Gas Consumption at full rate Natural m<sup>3</sup> per Hour</b>	1.36
<b>Gas Pressure Natural mbar</b>	20.0
<b>Total heat input at full rate Natural kW</b>	14.3
<b>Total heat input at full rate Natural BTU per hour</b>	48,800

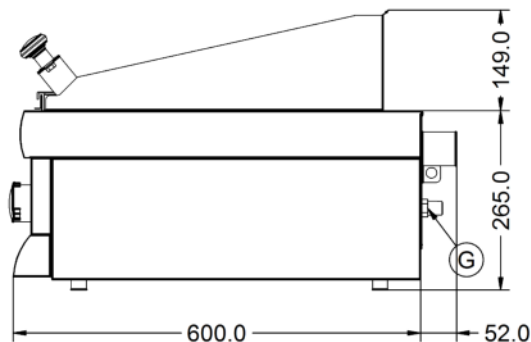
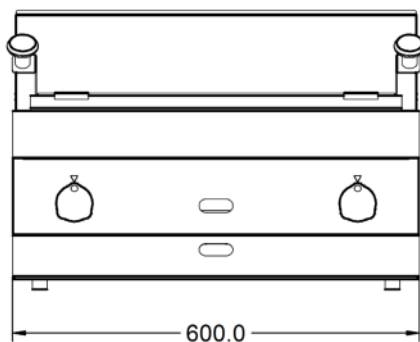
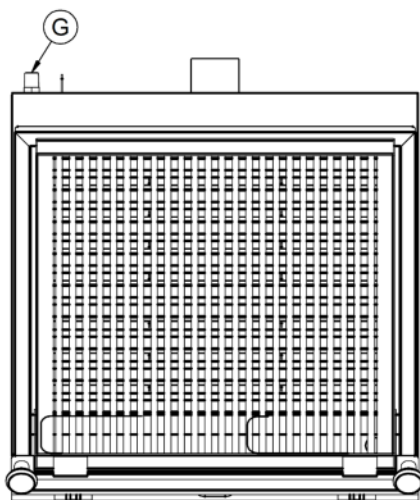
#### Shipping

<b>Packed Weight Kg</b>	48
<b>Packed Height cm</b>	63.5
<b>Packed Width cm</b>	70
<b>Packed Depth cm</b>	70

### Available Accessories

<b>CH01</b>	NULL
<b>CH02</b>	NULL
<b>CN6</b>	Silverlink 600 Free-standing Ambient Open-Top Pedestal without Doors - W 600 mm
<b>SLS6</b>	Silverlink 600 Free-standing Floor Stand - for units W 600 mm

### Technical Picture



**Lincat Limited**

Whisby Road,  
Lincoln, LN6 3QZ,  
United Kingdom

**Company No:** 2175448

A member company of



**Customer Care**

**Tel:** +44 1522 875500  
**Email:** care@lincat.co.uk

**Export Customers**

**Tel:** +44 1522 503250  
**Email:** export@lincat.co.uk

**Opening Hours**

**Monday – Friday:**  
8.30am – 5pm