



P6P3 - Lincat Panther 670 Series Free-standing Hot Cupboard - Plain Top - W 1205 mm - 1.5 kW

A great solution for holding and transporting food at the perfect temperature, the Panther 670 Series Hot Cupboard is designed to fit through narrow doorways, so is ideal for pubs and smaller restaurants as well as nursing and care homes where plated meals are to be transported from the kitchen to the residents.

- ✓ 670mm depth allows access through narrow door openings also ideal to fit through narrow corridors
- ✓ Ideal for small restaurants, cafes and pubs, as well as nursing and care homes, where the easy transportation of plated meals to diners and residents is a necessity.
- ✓ Fan assisted hot cupboard provides even heat distribution, fast heat up and recovery times, and lower energy usage. Four shelf positions allow adjustment to meet individual needs.
- ✓ Fully 1/1 GN compatible hot cupboard for operational efficiency. Units available to take 3 x 1/1 GN containers up to 150mm deep.
- ✓ Accurate digital electronic control of the hot cupboard temperature, adjustable between 20 and 99 °C, ensures compliance with food hygiene regulations
- ✓ Double skinned construction provides efficient heat retention and a cool to touch exterior - safe and energy efficient. Removable doors and shelves allow access to the fully stainless steel interior for easy cleaning
- ✓ Supplied with two heavy duty multi-section chrome plated rod shelves capable of taking the heaviest loads

Specifications

Summary

Brand	Lincat
Range	Panther
Series	670 Series
Power Type	Electric
Unit Type	Free-standing
Available in UK Only	No
UK Warranty	2 Years Parts and Labour Warranty
Export Warranty	Contact your local dealer
GTIN	5056105103448

Power and Performance

Total Power kW	1.50
Temperature Range °C	20-99
IP Rating	IP24
Temperature Control	Electronic

Key Specifications

Number of Shelves included	2
Number of Shelf Positions	4
Heated Base	Yes
Heated Gantry	No
Static or Mobile	Mobile

Capacity

Plate Capacity	316
-----------------------	-----

Weights and Dimensions

Unit Height (External) mm	900
Unit Width (External) mm	1205
Unit Depth (External) mm	670
Height (Internal) mm	432
Width (Internal) mm	1,020
Depth (Internal) mm	512
Shelf Dimensions Width mm	980
Shelf Dimensions Depth mm	512
Net Weight Kg	87.5

Supply Connections

Requires Installation	No
Requires Electrical Supply	Yes
UK 3 Pin Plug	Yes
Requires Hardwiring	No
Electrical Supply Rating Watts	1,500
Single Phase Amps	6,5
Single Phase Voltage	230

Shipping

Packed Weight Kg	103.7
Packed Height cm	103
Packed Width cm	120
Packed Depth cm	80

Available Options

Overshelf or Gantry

PG3A	PG3A - Ambient Gantry
PG3H	PG3H - Heated Gantry
PS3A1	PS3A1 - 1 Ambient Overshelf
PS3A2	PS3A2 - 2 Ambient Overshelves
PS3A3	PS3A3 - 3 Ambient Overshelves
PS3H1	PS3H1 - 1 Heated Overshelf
PS3H2	PS3H2 - 2 Heated Overshelves
PS3H3	PS3H3 - 3 Heated Overshelves

Door Locks

PDL3	PDL3 - Lockable Door
------	----------------------

Corner Guards

PCG	PCG - Corner Guards[Set of Four]
-----	----------------------------------

Trayslides

PTS3	PTS3 - Tray Slide
------	-------------------

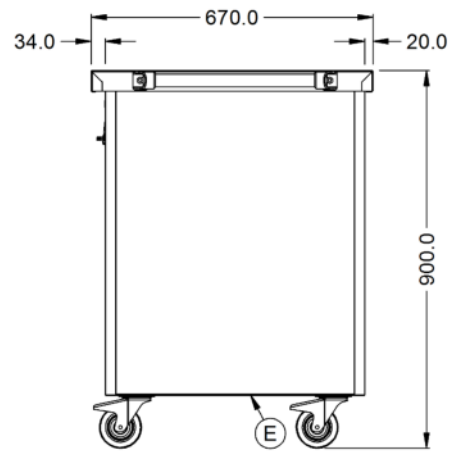
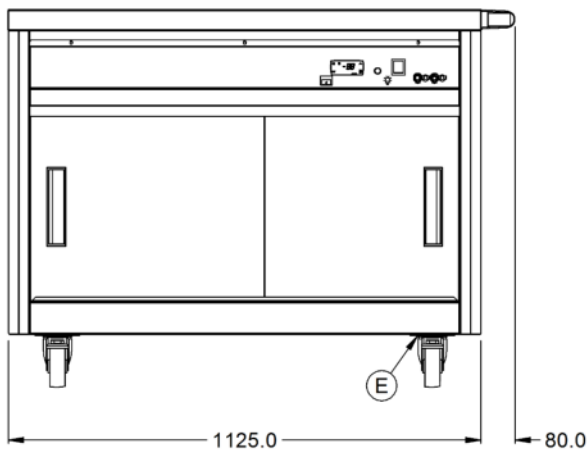
Legs/Castors

PLK	PLK - Legs[non chargeable]
-----	----------------------------

Available Accessories

PLK/S	PLK/S - LEG KIT [FOR CONVERSION IN THE FIELD]
PPB6	PPB6 - ADDITIONAL PUSHBAR

Technical Picture



Lincat Limited

Whisby Road,
Lincoln, LN6 3QZ,
United Kingdom

Company No: 2175448

A member company of



Customer Care

Tel: +44 1522 875500
Email: care@lincat.co.uk

Export Customers

Tel: +44 1522 875536
Email: export@lincat.co.uk

Opening Hours

Monday – Friday:
8.30am – 5pm