



## GR3/N - Silverlink 600 Natural Gas Counter-top Salamander Grill - W 600 mm - 5.0 kW

The Silverlink 600 Gas Salamander Grill boasts even heat distribution for maximum output, meaning that producing perfectly grilled meat, fish, and toast has never been as simple or stress-free.

- ✓ Powerful ceramic plaque burners for rapid heat up
- ✓ Cool touch handles for safety
- ✓ 5 shelf positions to give maximum flexibility for all catering operations
- ✓ Enamelled interior and hood for easy cleaning
- ✓ Chrome wire shelf to allow trays and food to be placed on for cooking
- ✓ Removable crumb tray, making it effortless to keep clean

### Specifications

#### Summary

<b>Range Name</b>	Silverlink 600
<b>Power Type</b>	Gas
<b>Gas Type</b>	Natural Gas
<b>Unit Type</b>	Counter-top
<b>Available in UK Only</b>	No
<b>UK Warranty</b>	2 Years Parts and Labour Warranty
<b>Export Warranty</b>	Contact your local dealer
<b>GTIN Code</b>	5056105104735

#### Power and Performance

<b>BTU per Hour</b>	17,060
<b>Total Power kW</b>	5.0
<b>Cooking Area (Width x Depth) mm</b>	410 x 230
<b>Temperature Control</b>	Mechanical

#### Key Specifications

<b>Number of Shelves included</b>	1
<b>Number of Shelf Positions</b>	4
<b>Number of Heat Zones</b>	1

#### Weights and Dimensions

<b>Unit Height (External) mm</b>	408
<b>Unit Width (External) mm</b>	600
<b>Unit Depth (External) mm</b>	423
<b>Shelf Dimensions Width mm</b>	410
<b>Shelf Dimensions Depth mm</b>	225
<b>Net Weight Kg</b>	20.5

#### Supply Connections

<b>Requires Installation</b>	Yes
<b>Gas Connection BSP</b>	1/2"
<b>Gas Consumption at full rate Natural m³ per Hour</b>	0.48
<b>Gas Pressure Natural mbar</b>	20.0
<b>Total heat input at full rate Natural kW</b>	5.0
<b>Total heat input at full rate Natural BTU per hour</b>	17,100

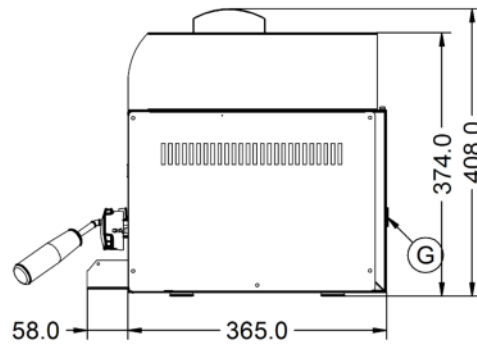
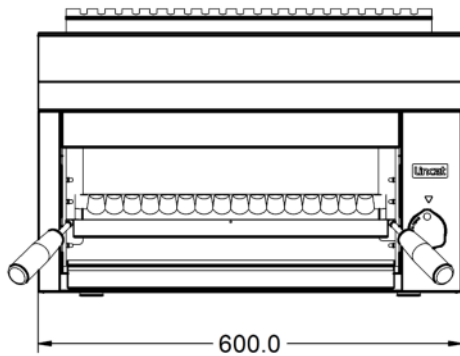
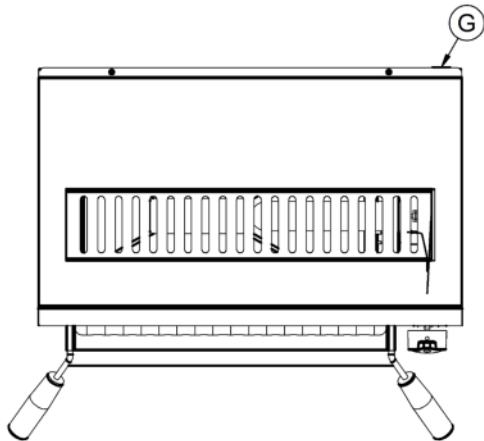
#### Shipping

<b>Packed Weight Kg</b>	24.2
<b>Packed Height cm</b>	49.5
<b>Packed Width cm</b>	70
<b>Packed Depth cm</b>	55

### Available Accessories

<b>ABP03</b>	BRANDING PLATE KIT
<b>CH01</b>	NULL
<b>CH02</b>	NULL
<b>GR3/BS</b>	BENCH STAND FOR GR3 - H410,D350,W605
<b>GR3/FS</b>	FLOOR STAND FOR GR3 - H1260,D350,W605
<b>GR3/WS</b>	WALL SHELF FOR GR3

**Technical Picture**



**Lincat Limited**

Whisby Road,  
Lincoln, LN6 3QZ,  
United Kingdom

**Company No:** 2175448

A member company of



**Customer Care**

**Tel:** +44 1522 875500  
**Email:** care@lincat.co.uk

**Export Customers**

**Tel:** +44 1522 503250  
**Email:** export@lincat.co.uk

**Opening Hours**

**Monday – Friday:**  
8.30am – 5pm