



## ELECTRIC BOILING TOPS



E3121 Four  
Hotplate Boiling Top

### MODELS and ACCESSORIES

**E3121 3HP** - Three hotplate boiling table

**E3121 4HP** - Four hotplate boiling table

- Fully integrated extended flue
- Splashplate and plateshelf
- Suiting kit

### KEY FEATURES

- Full depth, heavy duty cast iron hotplates
  - Allow multiple cooking positions
- Three and four hotplate models available
  - Provides versatility for varied menus
- Fast-acting circular hotplates
  - Reduces heat up times, energy efficient
- Variable, accurate temperature controls
  - ideal for a wide range of menu items
- Full width, removable drip tray
  - Retains spillages and keeps unit clean
- Mounted upon legs
  - Can be installed upon any suitable surface
- Laser-etched control icons
  - Permanent, indelible markings

### INSTALLATION NOTES

Adequate ventilation must be provided to supply sufficient fresh air and to allow easy removal of any such products that may present a risk to health. Please consult current legislation for details that relate to specific locations.

Install unit on a level, fireproof surface in a well-lit position. A clearance of 150mm should be observed between appliance and any combustible wall. Please consult the appliance installation manual for further details.

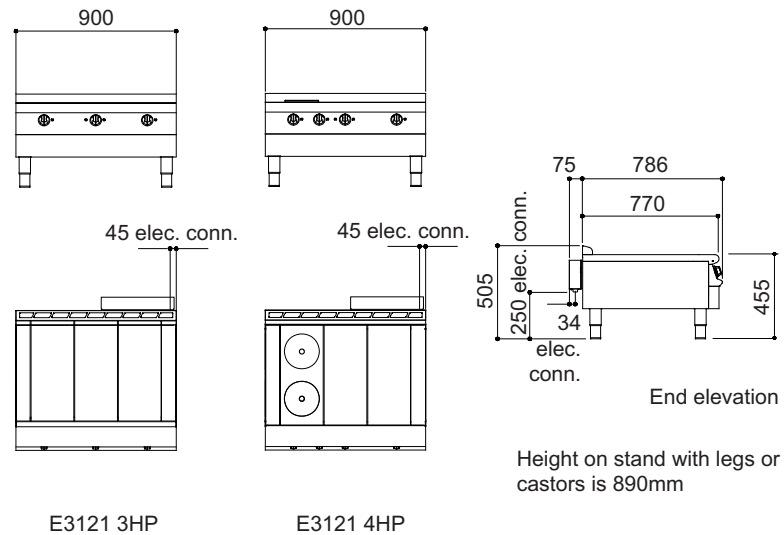




# DOMINATOR PLUS

## ELECTRIC BOILING TOPS

### MODEL DIMENSIONS (in mm)



### SPECIFICATION DETAILS

	<b>E3121 3HP</b>	<b>E3121 4HP</b>
Electrical rating (kW)	9.7	10
Electrical supply voltage	400V 3N~	400V 3N~
Minimum electrical supply 230V ~ (amps)	63	63
Minimum electrical supply 400V 3N~ (amps)	20	20
Electrical current split (amps)	L1: 14 / L2: 14 / L3: 14	L1: 16 / L2: 14 / L3: 14
Hotplate rating (kW)	3.22 x 3	3.22 x 2 / 1.75 x 2
Weight (kg)	70	71
Packed weight (kg)	72	73