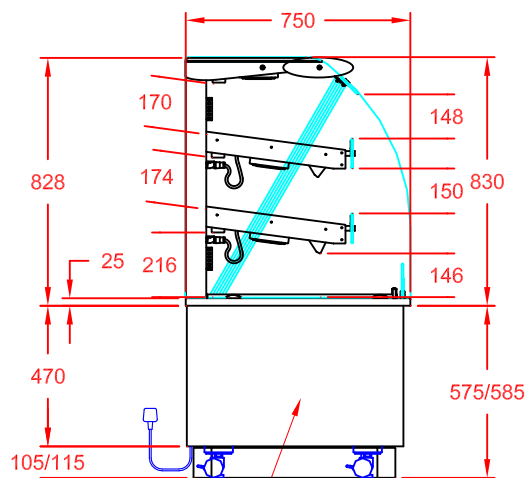


PLAN VIEW

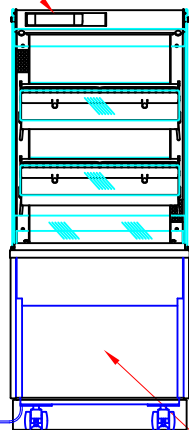
GANTRY MOUNTED DIGITAL CONTROL PANEL



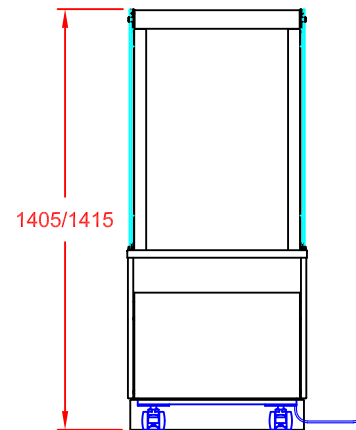
END VIEW

SIDE PANELS & TOP REAR CANOPY IN BLACK EPOXY COATED STEEL AS STANDARD OR OPTION KHSB6FB - SATIN STAINLESS STEEL PANELS

13A PLUG TOP & 2m LEAD POWER SUPPLY: 13A, 230V, 1.81kW



FRONT VIEW (CUSTOMER SIDE)



REAR VIEW (OPERATOR SIDE)

OPTIONAL FRONT FASCIA PANELS  
KABF6 - BLACK EPOXY COATED STEEL  
KASF6 - SATIN STAINLESS STEEL  
FOR FREE STANDING MODELS

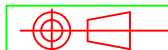
APPROX. UN-CRATED WEIGHT OF UNIT: 115Kg



CED FABRICATIONS LTD  
UNITS A1-A4, FALCON COURT  
CLAYTON BUSINESS PARK  
CLAYTON-LE-MOORS  
HYNDBURN  
LANCASHIRE BB5 5JD

This drawing and information herein is confidential to CED Fabrications Ltd. It is issued in confidence that it will not be disclosed to any third party in part or in whole without permission from CED FABRICATIONS Ltd.

© CED FABRICATIONS LTD



**DESCRIPTION:**

DESIGNLINE PATISSERIE  
600mm SELF HELP HEATED-FIXED BACK

SCALE: 1 : 2.5 @ A4

REV No: A

PRODUCT CODE:

PH6FB