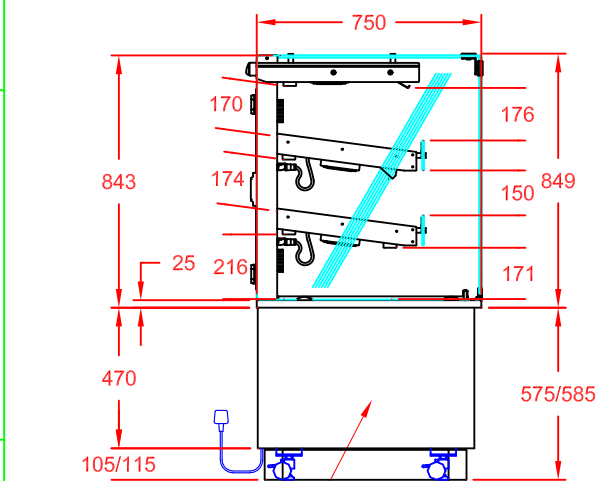


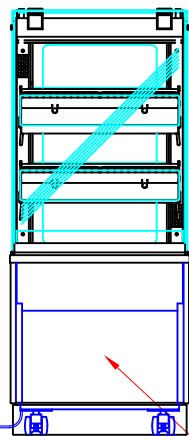
PLAN VIEW



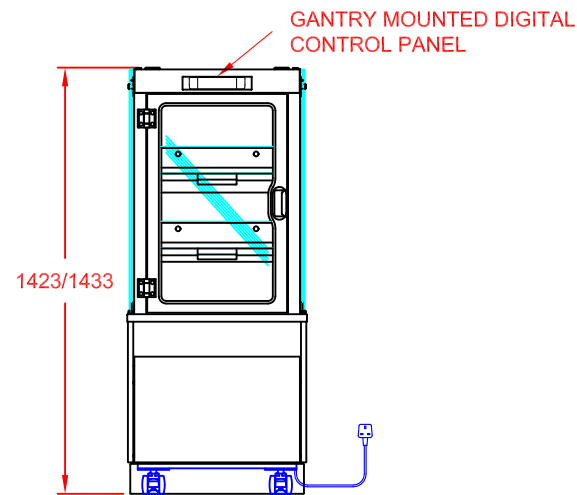
END VIEW

SIDE PANELS & TOP REAR CANOPY IN BLACK EPOXY COATED STEEL AS STANDARD OR OPTION KHSB6 - SATIN STAINLESS STEEL PANELS

13A PLUG TOP & 2m LEAD POWER SUPPLY: 13A, 230V, 1.81kW



FRONT VIEW (CUSTOMER SIDE)



REAR VIEW (OPERATOR SIDE)

GANTRY MOUNTED DIGITAL CONTROL PANEL

OPTIONAL FRONT FASCIA PANELS
KABF6 - BLACK EPOXY COATED STEEL
KASF6 - SATIN STAINLESS STEEL
FOR FREE STANDING MODELS

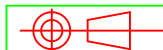
APPROX. UN-CRATED WEIGHT OF UNIT: 127Kg



CED FABRICATIONS LTD
UNITS A1-A4, FALCON COURT
CLAYTON BUSINESS PARK
CLAYTON-LE-MOORS
HYNDBURN
LANCASHIRE BB5 5JD

This drawing and information herein is confidential to CED Fabrications Ltd. It is issued in confidence that it will not be disclosed to any third party in part or in whole without permission from CED FABRICATIONS Ltd.

© CED FABRICATIONS LTD



DESCRIPTION:

CABINET KUBUS PATISSERIE
600mm ASST SERV HEATED-REAR DOOR

SCALE: 1 : 2.5 @ A4

REV No: A

PRODUCT CODE:

KPH6AS