

C Range

undercounter

GLASSWASHER



C502

Maidaid **C502** Features

- **2 year warranty**
- Four button bright LED display with soft touch controls, twin traffic lights giving instant status updates & operational self-diagnostics



- Alarms menu with hi-level information retrieval
- Quick release parallel wash & rinse arm design
- Surface scrap trays as standard
- Three standard cycle time options with further options available
- Cycle times can be tailored to site requirements
- Automatic self-cleaning at end of service
- Selectable energy saving mode
- Selectable thermostop ensures optimum rinse temperatures
- Patented dual flow wash pump - reducing power consumption whilst retaining wash efficiency
- Moulded wash tank for easy cleaning
- Moulded rack guide giving partial double skin
- Accurate detergent & rinse aid dosing pumps as standard

Drain pump version available: **C502D**

(drain pump cannot be retro fitted)



Supplied with two open cup/glass racks (capable of holding 25 pint glasses).

Additional racks can be purchased at point of order: **Z972001**



For additional information contact our Sales Team on

T: **0345 130 8070** E: **sales@maidaid-halcyon.co.uk** or visit **www.maidaid.co.uk**

C Range undercounter GLASSWASHER

C502



Technical Data

Dimensions (W x D x H)	mm	580 x 610 x 810 + Feet
Feet height	mm	10-20
Rack size	mm	500 x 500
Maximum useable height	mm	340
Door opening	mm	365
Theoretical productivity	Racks/h	51
Effective productivity	Racks/h	36*

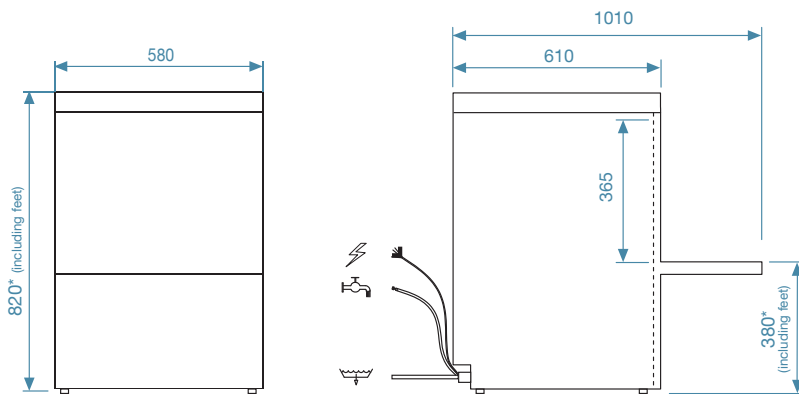
Wash tank element	kW	2.1
Boiler element	kW	6
Wash pump	kW	0.47
Tank capacity	L	20
Noise emission	dB	< 55

Packaging Specs

Gross weight	Kg	60
Cubic volume	m ³	0.45
Dim. (W x D x H)	mm	670 x 690 x 980

*Allowing 30 seconds for reloading
Cycle times may vary depending on local conditions/services

Installation Diagram – All services must be within 1 meter



*Height-adjustable feet + 10mm

Power Supply

Installed power	AMP	kW
	13	2.6
	20	4.5
230V – 50Hz – 1N	30*	6.5
	Optional 3 Phase config Total load 6.5kW	
Fused	16 amp	

*Standard configuration

- Power
- Water supply 2 – 4 bar
- Gravity drain

Water Connection

Inlet water pressure	Bar	2 to 4
Flow rate L/Min	L/Min	6
Water inlet temp	°C	10 to 50
Water connection	BSP	¾"
Waste connection	Ø	Int 29/ext 34

Cycle Information

Number of standard cycles	3	
Standard cycles times	Sec	70/90/180 – adjustable
Special cycle	Eco, Glass, Long	
Self-cleaning cycle	Partial self drain	
Water consumption per cycle	L	2
Wash temperature	°C	60 – adjustable
Rinse temperature	°C	65 – adjustable

For additional information contact our Sales Team on

T: **0345 130 8070** E: **sales@maidaid-halcyon.co.uk** or visit **www.maidaid.co.uk**