

Slimline Uprights



Features

- Top mounted compressor units
- Slimline design – reduced footprint
- High Grade Stainless Steel Construction Interior & Exterior
- Heavy duty Embraco compressor
- Self-closing and stay open door
- Easy to clean interior with rounded corner design
- Easy to clean black plastic door handle
- Standard safety door lock
- Magnetic door gaskets
- Pre-installed castors
- Pre installed shelves
- Climate Class 4 / 5 product

Product Code

YBF9206GR	Single Door Refrigerator
YBF9207GR	Single Door Freezer
YBF9218GR	Double Door Refrigerator
YBF9219GR	Double Door Freezer
YBF9237	Triple Door Refrigerator
YBF9242	Triple Door Freezer

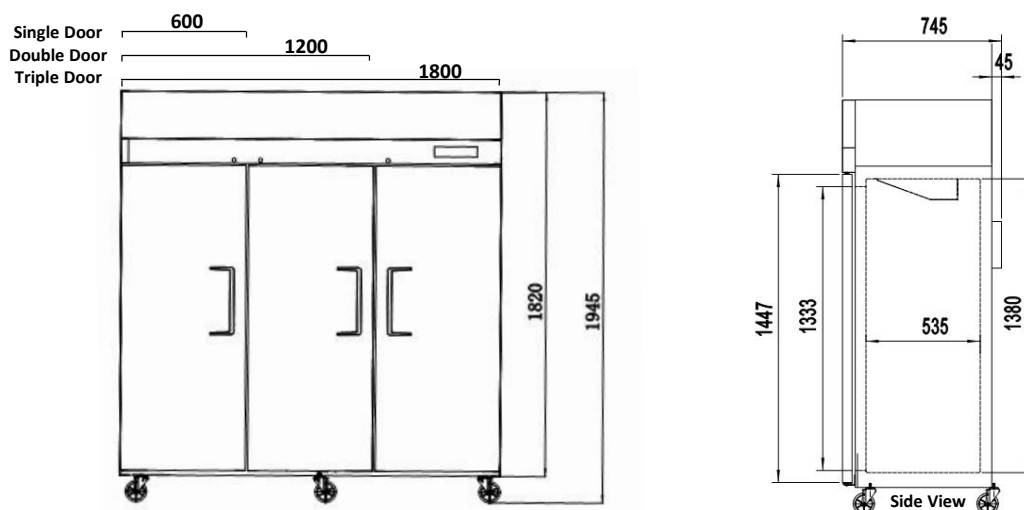
Optional Extras



Description

Extra shelf and Runners

Slimline Uprights



Model	YBF9206GR	YBF9207GR	YBF9218GR	YBF9219GR	YBF9237	YBF9242
Exterior Dimension (WxDxH) mm	600 x 745 x 1945	600 x 745 x 1945	1200 x 745 x 1945	1200 x 745 x 1945	1800 x 745 x 1945	1800 x 745 x 1945
Interior Dimension (WxDxH) mm	500 x 540 x 1380	500 x 540 x 1380	1100 x 540 x 1380	1100 x 540 x 1380	1700 x 540 x 1380	1700 x 540 x 1380
Packing Dimension (WxDxH) mm	640 x 774 x 2050	640 x 774 x 2050	1240 x 774 x 2050	1240 x 774 x 2050	1840 x 774 x 2050	1840 x 774 x 2050
Shelf Dimensions mm	485 x 525 shelf	485 x 525 shelf	525 x 530 shelf	525 x 530 shelf	525 x 530 / 510 x 530 shelf	525 x 530 / 510 x 530 shelf
Shelf Quantity	4	4	8	8	9	9
Shelf Loading Capacity (Kg Pc)	40	40	40	40	40	40
Capacity (Litre)	410	410	900	900	1390	1390
Net Weight (Kgs)	82	82	132	132	180	180
Gross Weight (Kgs)	100	100	145	145	190	190
Voltage	220/50/1	220/50/1	220/50/1	220/50/1	220/50/1	220/50/1
Power (Watts)	290	600	450	750	560	800
Electrical Current (Amps)	1.5	3.2	2.3	4.5	3.7	4
KWh/annum	522	2110	796	3347	2320	6510
Energy Efficiency Class	C	D	C	D	G	G
Climate Class	5	5	5	5	4	4
Defrost Method	Air Defrost	Hot Gas Defrost	Air Defrost	Hot Gas Defrost	Air Defrost	Electric Defrost
Refrigerant Type / Amount	R600a / 80g	R290hc / 90g	R600a / 130g	R290hc / 150g	R134a / 360g	R404a / 550g
Cooling Method	Ventilated	Ventilated	Ventilated	Ventilated	Ventilated	Ventilated
Inner Temperature (°C)	+2°C to +8°C	-22°C to -17°C	+2°C to +8°C	-22°C to -17°C	+2°C to +8°C	-22°C to -17°C
Insulation	Polyurethane foam	Polyurethane foam	Polyurethane foam	Polyurethane foam	Polyurethane foam	Polyurethane foam
Foaming Material	C5H10	C5H10	C5H10	C5H10	C5H10	C5H10
Castors	4 (2 Braked on front)	4 (2 Braked on front)	4 (2 Braked on front)	4 (2 Braked on front)	6 (3 Braked on front)	6 (3 Braked on front)
Material External / Internal	S/S Int + Ext	S/S Int + Ext	S/S Int + Ext	S/S Int + Ext	S/S Int + Ext	S/S Int + Ext
Lighting	Yes	Yes	Yes	Yes	Yes	Yes
Door lock	Yes	Yes	Yes	Yes	Yes	Yes