



OE8015 - Opus 800 Electric Free-standing Solid Top Oven Range - W 900 mm - 15.4 kW

Designed for ultimate accuracy and versatility, the Opus 800 Solid Top Range with Cast Iron Plate provides chefs with more flexibility when it comes to the size and number of pans used.

- ✔ Twin zone heavy-duty hot plate maximizes cooking space and provides the ultimate flexibility
- ✔ Large 6 x GN1/1 capacity oven enabling six different foods to be cooked simultaneously
- ✔ Two 2.7kW and two 2kW elements produce controllable heat gradient throughout the cast iron plate
- ✔ Electric Solid Top Range

Specifications

Summary

Range Name	Opus 800
Power Type	Electric
Unit Type	Free-standing
Available in UK Only	No
UK Warranty	2 Years Parts and Labour Warranty
Export Warranty	Contact your local dealer
GTIN Code	5056105102403

Power and Performance

Gastronorm Capacity	6 x GN1/1
Total Power kW	15.4
Temperature Range °C	130 - 265
IP Rating	IP24
Cooking Area (Width x Depth) mm	380 x 530 x 2
Temperature Control	Mechanical
Rating per Hob kW	4.7
Oven Rating kW	6.0

Key Specifications

Number of Shelves included	3
Number of Shelf Positions	5
Number of Hobs	2
Shape of Hob	Square

Weights and Dimensions

Unit Height (External) mm	900
Unit Width (External) mm	900
Unit Depth (External) mm	800
Height (Internal) mm	405
Width (Internal) mm	825
Depth (Internal) mm	530
Shelf Dimensions Width mm	770
Shelf Dimensions Depth mm	530
Hob Dimensions mm	600 x 450
Net Weight Kg	182.7

Supply Connections

Requires Installation	Yes
Requires Electrical Supply	Yes
UK 3 Pin Plug	No
Requires Hardwiring	Yes
Electrical Supply Rating Watts	15,400
Three Phase Amps	L1=26.4 ; L2=20.5 ; L3=20.5
Three Phase Voltage	400

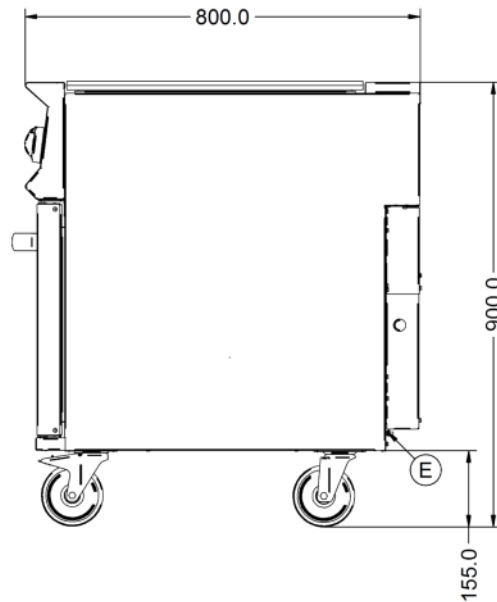
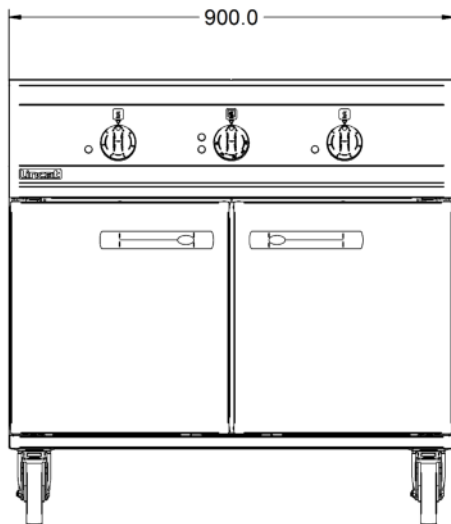
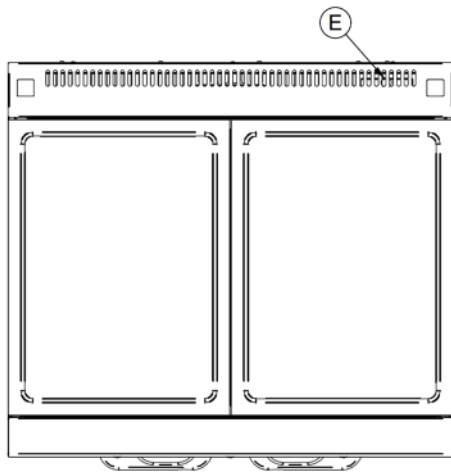
Shipping

Packed Weight Kg	200.7
Packed Height cm	104
Packed Width cm	100
Packed Depth cm	85

Available Accessories

LK06	OPUS 800 LEG KIT
OA8983	SPLASHBACK/SHELF - OE8015

Technical Picture



Lincat Limited

Whisby Road,
Lincoln, LN6 3QZ,
United Kingdom

Company No: 2175448

A member company of



Customer Care

Tel: +44 1522 875500
Email: care@lincat.co.uk

Export Customers

Tel: +44 1522 503250
Email: export@lincat.co.uk

Opening Hours

Monday – Friday:
8.30am – 5pm