

# C Range

## undercounter

### DISHWASHER



## C525 ws

### Maidaid **C525 WS** Features

- **2 year warranty**
- Four button bright LED display with soft touch controls, twin traffic lights giving instant status updates & operational self-diagnostics



- Alarms menu with hi-level information retrieval
- Quick release parallel wash & rinse arm design
- Automatic continuous internal water softener, drain pump & breaktank as standard
- Three standard cycle time options with further options available
- Cycle times can be tailored to site requirements
- Automatic self-cleaning at end of service
- Selectable energy saving mode
- Selectable thermostop ensures optimum rinse temperatures
- Patented dual flow wash pump – reducing power consumption whilst retaining wash efficiency
- Moulded wash tank for easy cleaning
- Moulded rack guide giving partial double skin
- Surface scrap tray filters supplied as standard
- Accurate detergent & rinse aid peristaltic dosing pumps as standard



Supplied with one pegged (capable of holding 18 10" plates), one open rack (capable of holding 25 pint glasses) and cutlery insert.

Additional racks can be purchased at point of order: **Z972001** & **Z972003**



For additional information contact our Sales Team on

T: **0345 130 8070** E: **sales@maidaid-halcyon.co.uk** or visit **www.maidaid.co.uk**

# C Range undercounter DISHWASHER

## C525 ws



### Technical Data

|                          |         |                           |
|--------------------------|---------|---------------------------|
| Dimensions (W x D x H)   | mm      | 580 x 610 x 810<br>+ Feet |
| Feet height              | mm      | 10-20                     |
| Rack size                | mm      | 500 x 500                 |
| Maximum useable height   | mm      | 340                       |
| Door opening             | mm      | 365                       |
| Theoretical productivity | Racks/h | 51                        |
| Effective productivity   | Racks/h | 36*                       |

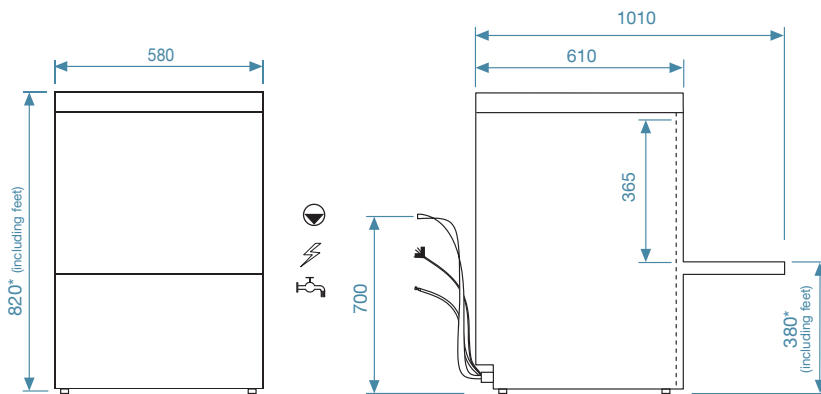
|                   |    |      |
|-------------------|----|------|
| Wash tank element | kW | 2.1  |
| Boiler element    | kW | 6    |
| Wash pump         | kW | 0.47 |
| Tank capacity     | L  | 20   |
| Noise emission    | dB | ≤ 55 |

### Packaging Specs

|                  |    |                 |
|------------------|----|-----------------|
| Gross weight     | Kg | 70              |
| Cubic volume     | m³ | 0.45            |
| Dim. (W x D x H) | mm | 670 x 690 x 980 |

\*Allowing 30 seconds for reloading  
Cycle times may vary depending on local conditions/services

### Installation Diagram – All services must be within 1 meter



\*Height-adjustable feet + 10mm

### Power Supply

|                         |                  |     |
|-------------------------|------------------|-----|
| Installed power         | AMP              | kW  |
| 230V – 50Hz – 1N        | 13               | 2.6 |
|                         | 20               | 4.5 |
|                         | 30*              | 6.5 |
| Optional 3 Phase config | Total load 6.5kW |     |
| Fused                   | 16 amp           |     |

\*Standard configuration

**Pumped waste into upstand, maximum height 700mm**

**Power**  
**Water supply 2 – 4 bar**

### Water Connection

|                      |       |               |
|----------------------|-------|---------------|
| Inlet water pressure | Bar   | 2 to 4        |
| Flow rate L/Min      | L/Min | 6             |
| Water inlet temp     | °C    | 10 to 50      |
| Water connection     | BSP   | ¾"            |
| Waste connection     | Ø     | Int 19/ext 24 |

### Cycle Information

|                             |                  |                        |
|-----------------------------|------------------|------------------------|
| Number of standard cycles   | 3                |                        |
| Standard cycles times       | Sec              | 70/90/180 – adjustable |
| Special cycle               | Eco, Glass, Long |                        |
| Self-cleaning cycle         | Yes              |                        |
| Water consumption per cycle | L                | 2.0                    |
| Wash temperature            | °C               | 60 – adjustable        |
| Rinse temperature           | °C               | 82 – adjustable        |

For additional information contact our Sales Team on

T: **0345 130 8070** E: **sales@maidaid-halcyon.co.uk** or visit **www.maidaid.co.uk**